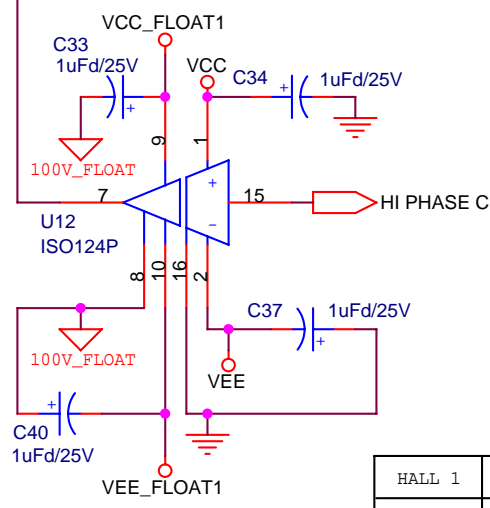
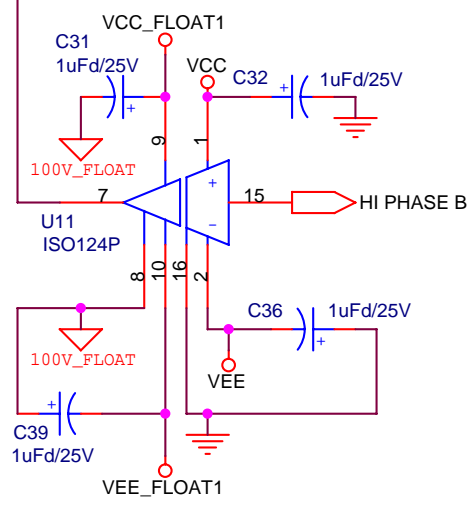
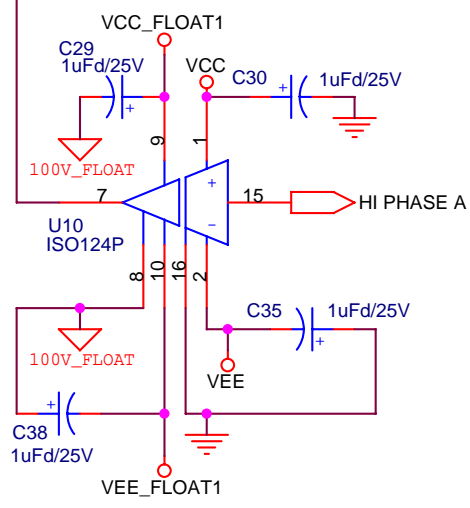
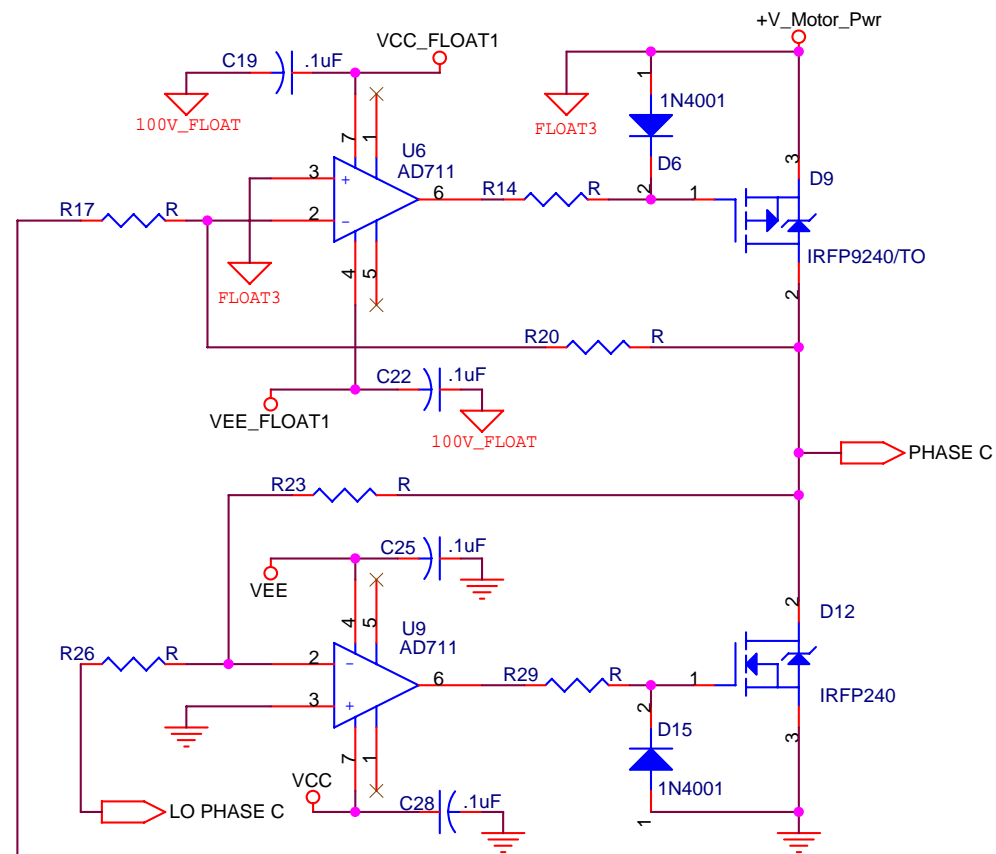
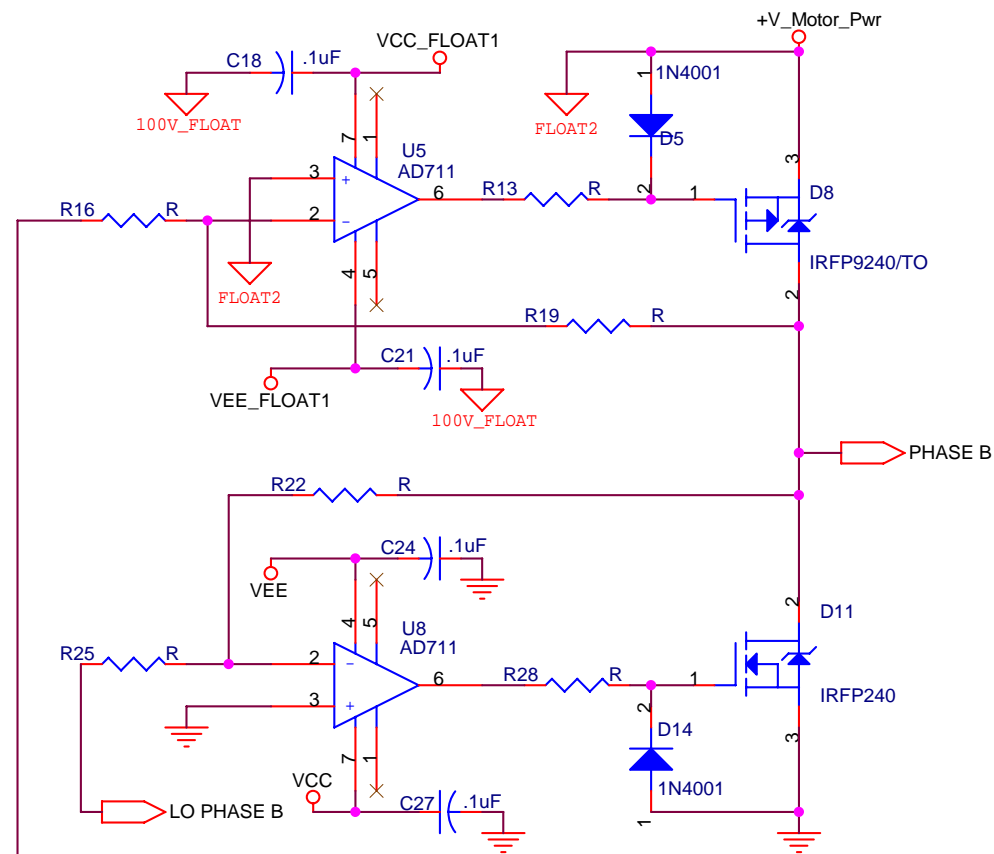
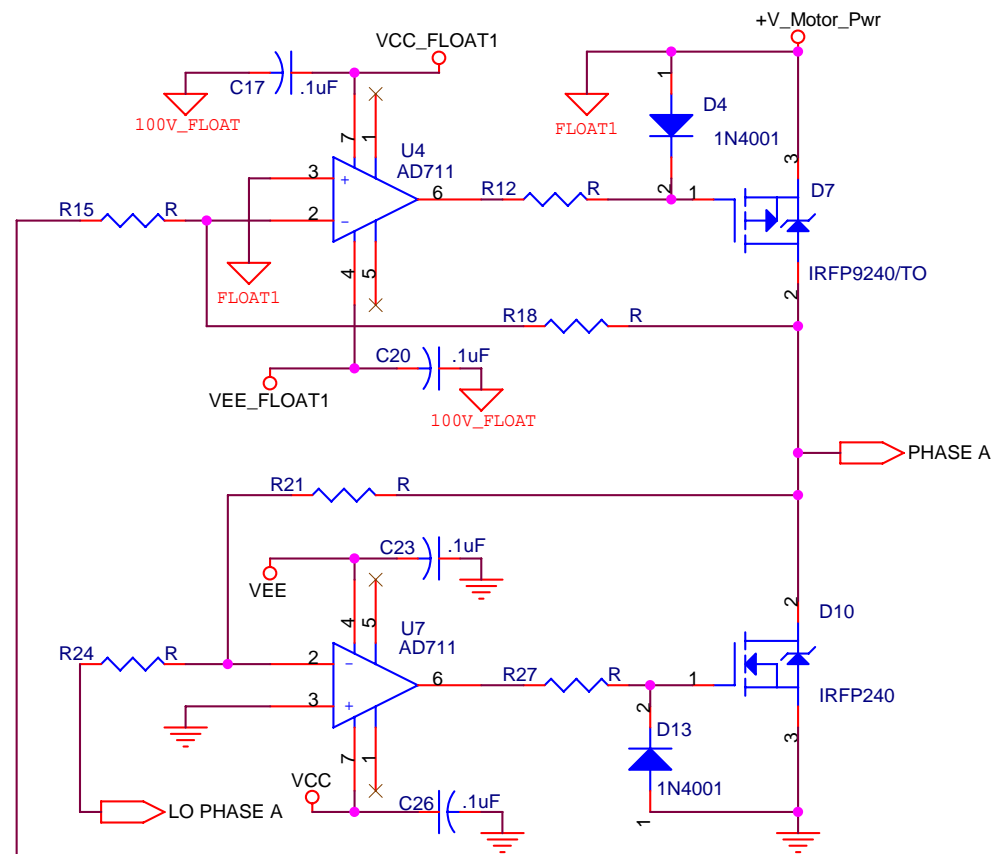


Page Modify Time = 05:51:59
 Page Modify Date = Monday, March 17, 2008
 Design Create Date = Wednesday, May 12, 2004

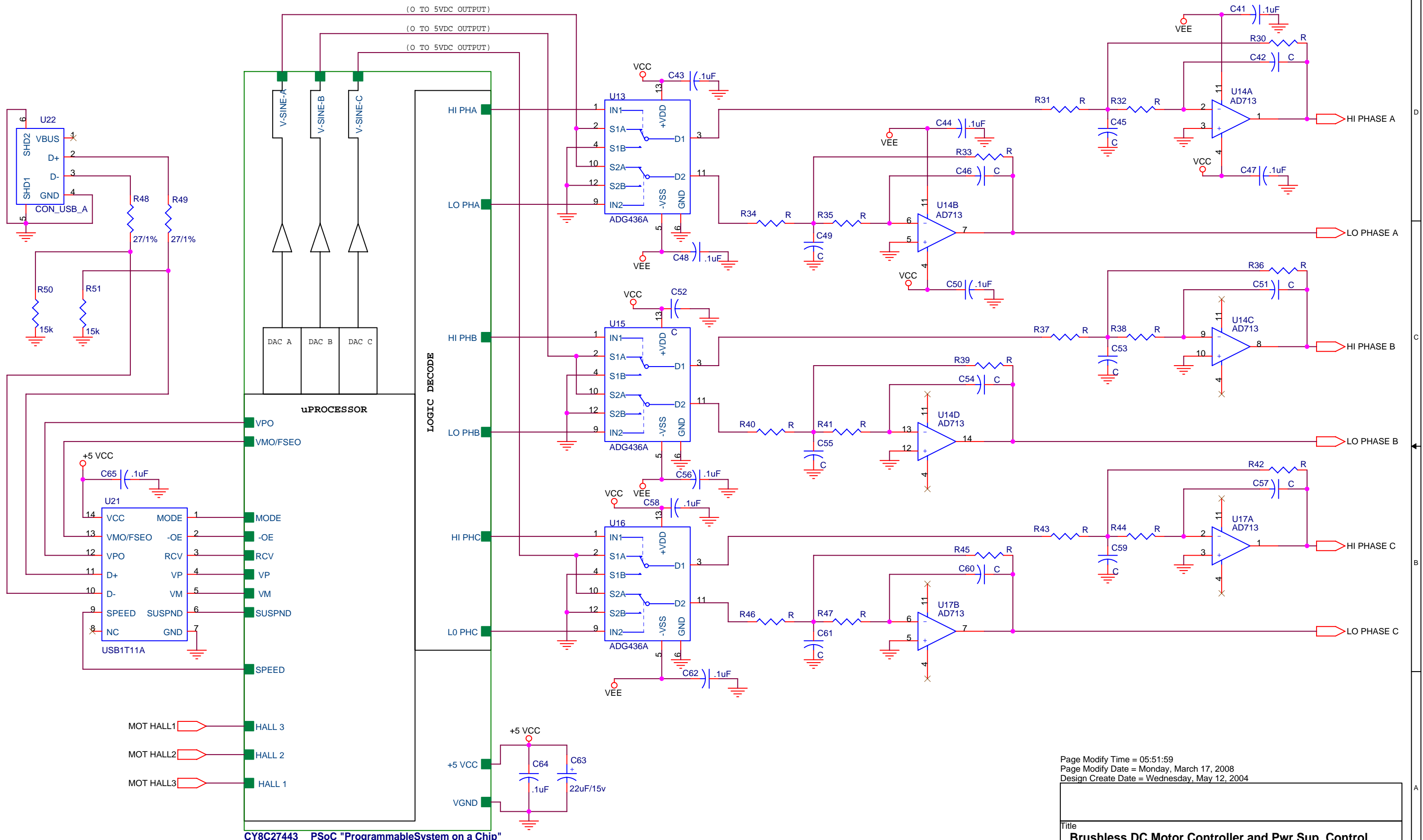
Title		
Brushless DC Motor Controller and Pwr Supply, Power		
Size	Document Number	Rev
B	<Doc>	X1
Date:	Sheet	1 of 3



HALL 1	HALL 2	HALL 3	PH A	PH B	PH C
I	0	I	OFF	HI	LO
I	0	0	LO	HI	OFF
I	I	0	LO	OFF	HI
0	I	0	OFF	LO	HI
0	I	I	HI	LO	OFF
0	0	I	HI	OFF	LO

Page Modify Time = 05:51:59
Page Modify Date = Monday, March 17, 2008
Design Create Date = Wednesday, May 12, 2004

Title Brushless DC Motor Controller and Pwr Supply, Drivers		
Size B	Document Number <Doc>	Rev X1
Date:	Sheet	2 of 3



CY8C27443 PSoC "ProgrammableSystem on a Chip"

Page Modify Time = 05:51:59
 Page Modify Date = Monday, March 17, 2008
 Design Create Date = Wednesday, May 12, 2004

Title		
Brushless DC Motor Controller and Pwr Sup, Control		
Size	Document Number	Rev
B	<Doc>	X1
Date:	Sheet	3 of 3